

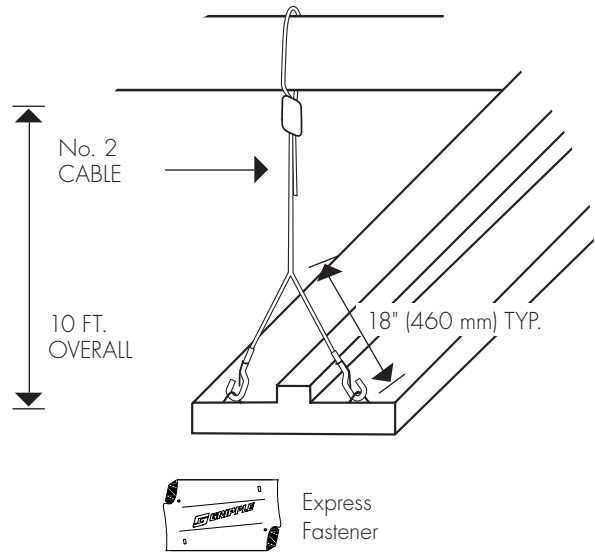
## Applications

The YHOOK Hanger is an aircraft cable hanger that splits into a "Y" shape with hooks on the ends. It is meant for indoor applications where an easy-to-install cable hanger is needed to mount a luminaire. The YHOOK Hanger is NOT suitable for use in chlorinated/ swimming pool environments.

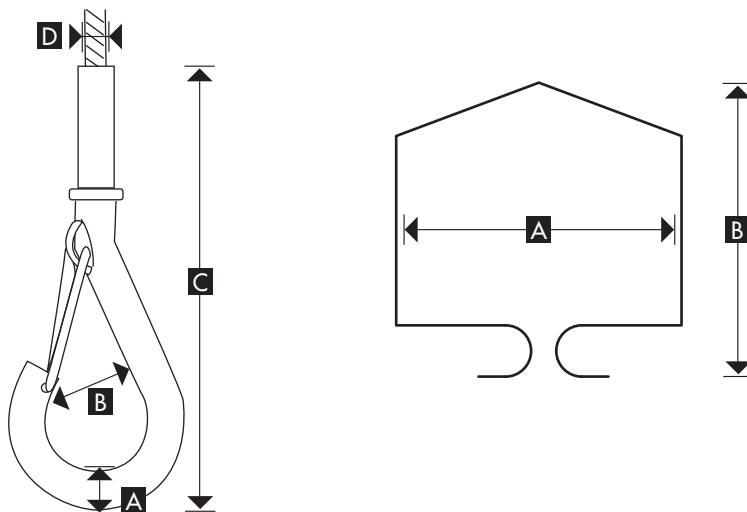
## Features

- Galvanized high tensile steel cable to EN12385
- 10 foot overall length
- Zinc plated steel toggle
- ROHS compliant
- Cable Diameter (in.): 5/64
- Strand configuration: 7x7
- Min. breaking load (lbs): 500
- Max. safe working load (lbs): 100
- Tensile strength (lbs/sq. in.): 256,700
- Available in Galvanized or Stainless Steel (SS at end of part #)

Package contains (2) 10' cables with "Y" split, (4) Spring Clips and (2) Express Fasteners

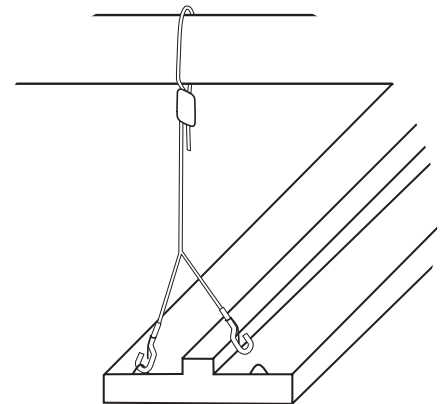


## Dimensions



## Application Examples

Angle between legs of 'Y' not to exceed 60°.



**Luminaire**  
Insert hooks into fixture

	A (in.)	B (in.)	C (in.)	D (in.)
Size	1/4"	7/32"	3"	5/64"

	A (in.)	B (in.)	Max SWL (lbs.)
Size	1"	1-1/2"	66

Specifications and dimensions subject to change without notice.